

HORSE POWER RATED

HIGH CURRENT TIMING MODULE

FULLY SOLID STATE ENCAPSULATED
RATED TO 15 AMPERE / 1HP



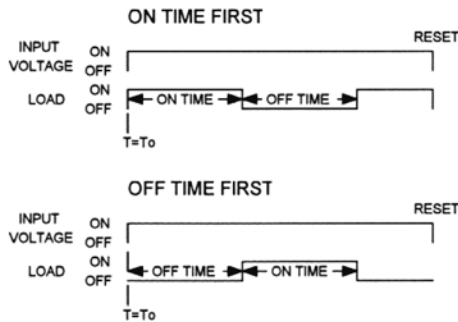
Series 645 - RECYCLE / FLASHER CMOS DIGITAL CIRCUITRY

- Life Expectancy –unlimited
- Environment Protected
- Tamper Proof
- No False Operate
- Switches 1800W @120V, 3600W @ 240V
- Small Size – 2"x 2" x 15/16"
- Lightweight – approximately 2.5 oz.
- Rugged
- Transient Protected to 6000V
- Choice of 5, 10, 15 Amp. Load Rating

Application of power simultaneously initiates timing and turns ON the load. The load will remain ON for the preset ON time after which the timer's switch opens, turning the load OFF for an equal period of time. The ON/OFF cycling of the load will continue until power is removed. Removal of power causes the timer to reset. ON time = OFF time. OFF time can be first, see the table below.

Control the timing of high power electric heaters, motors, lamps, transformers and other high current loads rated less than 15 amps (150 amps inrush). CMOS digital circuitry is combined with a high current solid state switch. P/C board and internal components are encapsulated in a flame retardant molded housing, fitted with quick connect wiring terminals. Available in all standard voltages and frequencies. Fixed or adjustable timing from .1 seconds to 24 hours.

TIMING DIAGRAM



SPECIFICATIONS

1. Repeat Accuracy: $\pm 0.25\%$
2. Combined Effect of Temperature and Voltage upon Repeat Accuracy: $\pm 2\%$
3. Reset Time: 150 ms.
4. Operating Voltage Tolerance: $\pm 20\%$
5. Load Current: Steady State – 80 ma. Min., 5 Amps, 10 Amps, or 15 Amps Max.
- 6 Voltage Drop: 2.5V Typical at 15 Ampere
7. Leakage Current: 7 ma. max.
8. Dielectric Strength: 1500 VRMS
9. Insulation Resistance: 100 Megohms Min.
10. Input Transient Protection: 3000V 120V UNITS, 6000V 240V units
11. Temperature Ambients: Operating -40°C to $+70^{\circ}\text{C}$ Storage -55°C to $+70^{\circ}\text{C}$
12. Humidity-Operating: 95% Relative
13. Linearity(Option A or D): $\pm 5\%$ Minimum from 10% to 90% of range
14. Timing Tolerance: $\pm 9\%$ + Tolerance of Rt Std., $\pm 5\%$ Special (Fixed)
15. Maximum Allowable Bracket Temperature: 80°C
16. Isolation Output Switch to Bracket: 2500 VRMS
17. Maximum Inrush: 10 Times Rated Load Current

HOW TO ORDER 645(I) - OR 645(I)R (T) (V) (P)

| SERIES | (I) = CURRENT | (T) = TIME RANGE | (V)=VOLTAGE | (P) = OPTIONS |
|----------------------|---------------------------------------|--|---------------------------------------|--|
| 645 ON FIRST | A = 5 AMP B = 10 AMP C = 15 AMP | P = 0.1 - 5 SEC. 1 = 0.1 - 10 SEC. L = 0.2 - 20 SEC. J = 0.3 - 30 SEC. M = 0.6 - 60 SEC. 2 = 1 - 100 SEC. K = 1.2 - 120 SEC. F = 2 - 180 SEC. E = 3 - 300 SEC. 3 = 10 - 1000 SEC. 4 = 0.1 - 10 MIN. G = 0.3 - 30 MIN. H = 0.6 - 60 MIN. 5 = 1 - 100 MIN. V = 3 - 300 MIN. 6 = 10 - 1000 MIN. D = 1 - 24 HRS. | 4 = 24VAC 5 = 120VAC 6 = 240VAC | O - CUSTOMER SUPPLIES OWN POTENTIOMETER OR RESISTOR A - POTENTIOMETER SUPPLIED AS LOOSE PART *B - EXTERNALLY INSTALLED RESISTOR *C - FACTORY FIXED INTERNAL D - TRIMMER POTENTIOMETER INSTALLED ON TERMINALS R - INTERNAL POTENTIOMETER WITH THRU SHAFT S - INTERNAL POTENTIOMETER WITH SCREWDRIVER SLOT |
| | | | | |
| 645(I)R OFF FIRST | | | | |

MADE IN USA

EXAMPLE P/N: 645C-14C/1S This is a RECYCLE/FLASHER 15A Rated Solid State Timer with a fixed 1 second ON and OFF time (equivalent to 30 FPM) and an INPUT VOLTAGE of 24 VAC. The ON & OFF time is factory fixed internal.

American Control Products / Precision Timer
a division of Prime Technology
344 Twin Lakes Road
North Branford, CT 06471
Telephone: (203) 481-5721
Fax: (203) 481-8937
Email: sales@primetechnology.com
www.primetechnology.com

TECHNICAL BULLETIN

SOLID STATE TIMING MODULE

PAGE 1
OF 2

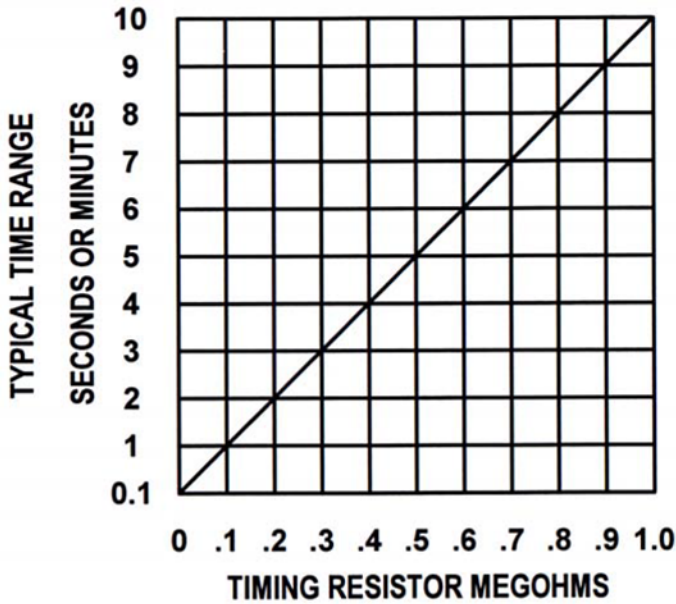
DATE
6-4-01

645

REV
B

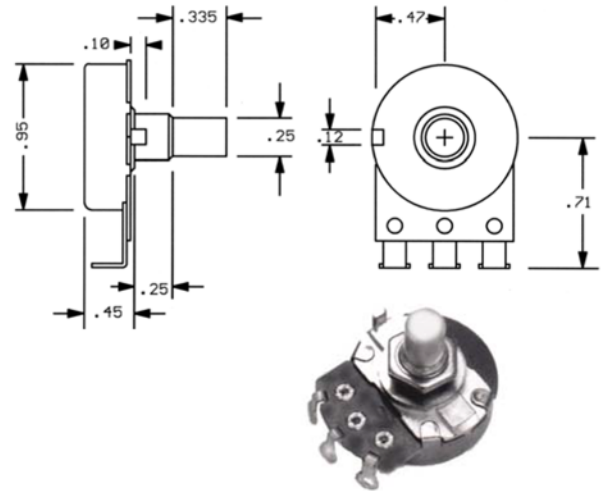


CALIBRATION RESISTANCE VS TIME



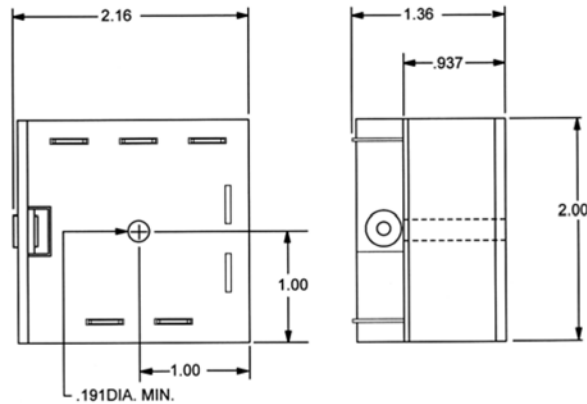
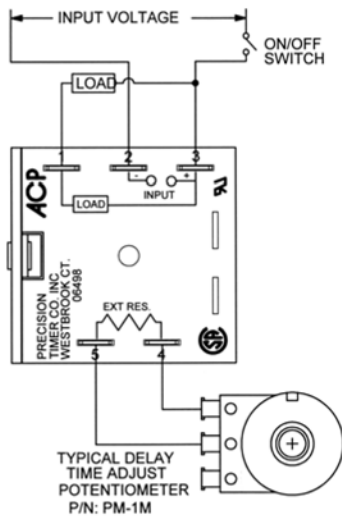
ACCESSORIES – AVAILABLE FROM STOCK

ORDER P/N: **PM – 1M 1 MEGOHM ± 20%**
PM – 100K 100 KOHM ± 20%

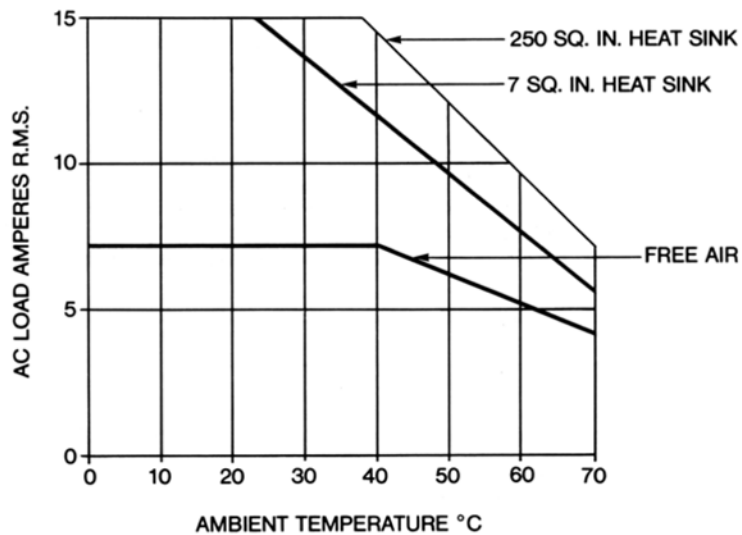


OUTLINE DRAWING

TYPICAL WIRING



TYPICAL DERATING



| Current Designation | HORSEPOWER | |
|---------------------|------------|------|
| | 120 V | 240V |
| A | 1/8 | 1/6 |
| B | 1/4 | 1/2 |
| C | 1/3 | 1 |

NOTE: Thermal joint compound is necessary to insure proper heat transfer from the Timing Module mounting surface to the heat sink.

MADE IN USA

American Control Products / Precision Timer
 a division of Prime Technology
 344 Twin Lakes Road
 North Branford, CT 06471
 Telephone: (203) 481-5721
 Fax: (203) 481-8937
 Email: sales@primetechnology.com
 www.primetechnology.com



TECHNICAL BULLETIN

SOLID STATE TIMING MODULE

PAGE 2
OF 2

DATE
6-4-01

645

REV
B